

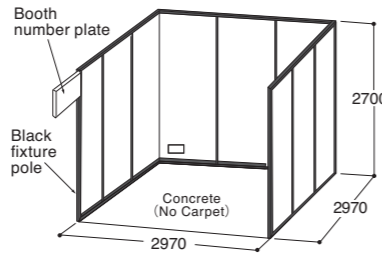
Exhibit Fee

※System fixture poles are aluminum painted black.

Basic Booth

1 booth (3m×3m=9m²) **Early Bird** JPY**440,000**
Ordinary JPY**495,000**

- Carpet (Gray) **CAUTION** You must install floor covering such as carpets. ×
 - Back (White system wall panel H2.7m,Black pole) * ○
 - Side (White system wall panel H2.7m,Black pole) * ○
 - Booth number plate * ○
 - 300W main electrical power supply (a breaker switch only - no outlet) 300W ○
- *Will not provide system wall panels and booth number plate if no adjacent booth.



Basic Booth (6 booths)

Packaged Booth (1-4 booth units)

1 booth (3m×3m=9m²) **Early Bird** JPY**515,900** **1,002,100** **1,486,100** **1,967,900**
Ordinary JPY**570,900** **1,112,100** **1,651,100** **2,187,900**

	1booth 9m ²	2booths 18m ²	3booths 27m ²	4booths 36m ²
Carpet (Gray)	○	○	○	○
Back (White system wall panel H2.7m,Black pole) *	○	○	○	○
Side (White system wall panel H2.7m,Black pole) *	○	○	○	○
Booth number plate *	○	○	○	○
300W main electrical power supply (a breaker switch only - no outlet)	300W	600W	900W	1200W
Fascia (Black)	1	1	1	1
Company name	1	1	1	1
Information desk	1	1	1	1
Folding chair	1	1	1	1
LED spot lights	2	4	6	8

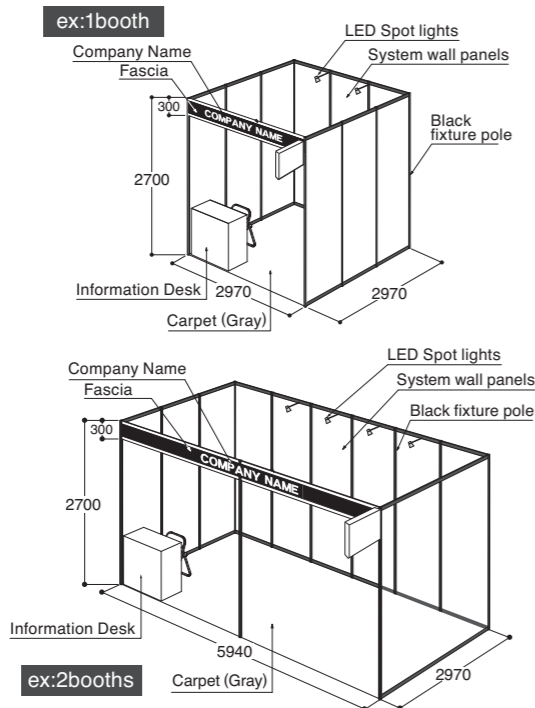
*Will not provide system wall panels and booth number plate if no adjacent booth.



Packaged Booth (1 booth)



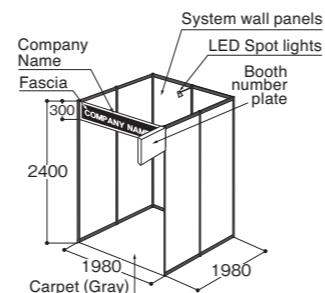
Packaged Booth (2 booths)



Compact Booth Can not apply 2 booths or more.

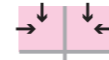
1 booth (2m×2m=4m²) **Early Bird** JPY**235,290**
Ordinary JPY**258,060**

	4m ²
Carpet (Gray)	○
Back (White system wall panel H2.7m,Black pole) *	○
Side (White system wall panel H2.7m,Black pole) *	○
Booth number plate *	○
300W main electrical power supply (a breaker switch only - no outlet)	300W
Fascia (Black)	1
Company name	1
Information desk	×
Folding chair	×
LED spot lights	1

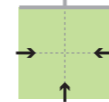


Option/etc

- Fee for corner space (for exhibitors using only a booth unit) **+ JPY 55,000** (Tax included)
 Corner booth unit is promised.



- Fee for three-side open booth (booths with 4 booth units) **+ JPY 66,000** (Tax included)



■ Corner Booth
 ■ Three-side Open Booth (booths with 4 booth units)

● Height limit

Number of booth units	Height
1-5 booth units	2,700mm
6 booth units or more	4,500mm (set back 1m)
Compact Booth	2,400mm



JAPANTEX 2021 is Japan's largest interior design and fabrics trade show.

Attracting huge crowds of visitors, JAPANTEX provides you with a great opportunity to not only spotlight your products but also rub elbows with other exhibitors and people in the industry to find out the latest trends and more.

We invite you to exhibit at JAPANTEX 2021 and open the door to new business opportunities.

Early Bird Application Deadline JUNE 25 (Fri), 2021 **Ordinary Application Deadline** JULY 20 (TUE), 2021

Method of Payment •Bank transfer in Japanese Yen only •Bank transfer fee shall be covered by the applicant

For inquiries about exhibiting, click here. ▶TEL:+81-3-3433-4521
 For more information about exhibiting, click here. ▶www.japantex.jp

Nippon Interior Fabrics Association

2F, Asakawa Bldg., 2-1-17, Shibadaimon, Minato-ku, Tokyo 105-0012 Japan
 TEL:+81-3-3433-4521 FAX:+81-3-3433-7860 E-mail:nif2021@nif.or.jp http://english.japantex.jp



2021.11.17 (WED) ▶ 19 (FRI)
 Tokyo Big Sight / West Hall 3•4 www.japantex.jp

Outline Real Exhibition

Title | JAPANTEX 2021

Organizer | Nippon Interior Fabrics Association (NIF)
2F, Asakawa Bldg., 2-1-17, Shibadaimon, Minato-ku,
Tokyo 105-0012 Japan
TEL+81-3-3433-4521 FAX+81-3-3433-7860
http://english.japantex.jp/
Japan Management Association
3-1-22 Shibakoen, Minato-ku, Tokyo 105-8522, Japan
http://www.jma.or.jp

Date | November 17 (Wed) - 19 (Fri), 2021

Opening Hours | 10:00-17:00

Venue | TOKYO BIG SIGHT West Hall 3・4
3-11-1 Ariake, Kotoku, Tokyo 135-0063 Japan
http://www.big sight.jp/english

Support (tentative) | Ministry of Economy, Trade and Industry(METI),
Japan External Trade Organization(JETRO),
The Association of the Promotion of International
Trade, Japan and Related Organizations & Embassies

Total Space | 7,000m² (Expected) [2019 10,000m²]

Number of Exhibitors | 180 Exhibitors (Expected) [2019 260 Exhibitors]

Number of Booths | 340 Booths (Expected) [2019 500 Booths]

Prospective Visitors | 20,000 Visitors
(Architecture + Interior Week and
Jointly held exhibition's total)

Joint Exhibition | Japan Home Show & Buiding Show 2020
The 43nd Japan Home Show
The 16th Building Materials and Furniture from
all over Japan
The 7th Shop Design
The 6th Bathroom & Kitchen Tokyo
The 5th Apartments Renovation Tokyo
The 7th TOILET TOKYO
The 4th Creative Office Design Tokyo
Asia Furnishing Fair 2021 Tokyo
INCHEM TOKYO 2021



Schedule The (planned) schedule until the exhibition

6.25 (FRI) **Deadline for the early application discount.**
Please fill out the exhibitor application form and send it by post.

7.20 (TUE) **Deadline for the exhibitor application.**
Please fill out the exhibitor application form and send it by post. We will stop accepting applications even before the deadline if the scheduled number of booths is reached.

8.27 (FRI) **Deadline for payment of the exhibitor fee.**
Please pay the exhibitor fee by bank transfer to the designated account in accordance with the invoice we will send you based on your exhibitor application form. (Please pay the bank transfer fee as well.)

Late August (scheduled) **Exhibitors meeting**
We will distribute documents and materials and announce the arrangement of booths.

11.15 (MON) **Installation date** 8:00-18:00

16 (TUE)

17 (TUE) **Opening day of the exhibition, the reception**

19 (FRI) **Closing day of the exhibition Removal date**
(The evacuation should be completed this day.)
17:00-22:00

Exhibitors List Major exhibitors in 2019 (in alphabetical order, not a complete list)

- | | | | |
|--|---|---|---|
| 818
3M Japan Limited
akari image
ANCHOR WallpapaerConstruction
ANHUI HONRENCO. (GROUP)
Anhui Zhonghong Xinyuan Textiles Co.,Ltd
anrec
Arms
Asaishoten Co., Ltd.
Astrid Davide Design & Color Concept
Bluebellgray
BRITISH WOOL MARKETING BOARD
CARPET GALLERY CO., LTD.
CHINA ARTS INTERNATIONAL EXHIBITION CO.,LTD
Clarke & Clarke
Cole & Sons
CORTINA
DAISEN LTD.
Digital Print Interior Forum
FABRISTA
FINE ART INC.
Foyer Co., Ltd.
Freudenberg Spunweb Japan Company, Ltd.
FUJII DESIGN FACTORY
FUKUI COMPUTER.ARCHITECT, Inc.
Fullness
Fullness x M's
Fusion Home Fashions International
GALAX CORPORATION
GLOBAL=KOUBOU
GOETHE HOUSE
Grand-in Co.,Ltd.
HASETORA SPINNING CO.,LTD.
HIRAKU SPINNING CO.,LTD. | HOKO'SHOSOBAD DESIGN
HONG KONG TRADE DEVELOPMENT COUNCIL
HOSOBAD DESIGN
HOTTA CARPET CO.,LTD.
HOZZ JAPAN
IICRC JAPAN
ILIV
INTERFORM INC.
INTERIOR JOUHO KIKAKU LTD.
ISHIKAWA, Ltd
J&S international
JAB
JAPAN CARPET CO.,LTD.
JAPAN CARPET MANUFACTURES ASSOCIATION
JAPAN CONSTRUCTION INTERIOR COOPERARIVES FEDERATION
JAPAN INTERIOR DECORATION ASSOCIATION(JIDA)
JAPAN INTERIOR INDUSTRY ASSOCIATION
KAWASHIMA SELKON TEXTILES CO., LTD.
KISMET TEKSTİL ÜRÜNLERİ SAN. VE TİC
KUWA DESIGN STUDIO
LIC Co., LTD
LILYCOLOR CO., LTD.
LIME LIGHT
LINAS
Lintec Corporation
M's
MACHIDA HIROKO ACADEMY
MIMAKI ENGINEERING CO., LTD.
Minamisanriku sewing club
MURAKAMI CARPET CO.,LTD.
Nantong Lichi Houseware Co.,Ltd.
NATIONAL INTERIOR
Neo TAPIS | NICHIBEI CO., LTD.
Nihon Shoryoku Co. Ltd
NIPPON DOM CO., LTD.
NISSHO Co.,Ltd
OHNO INC.
ORIENTAL MOON
Osaka International Business Promotion Center
OSK
PAO WOW TATAMI
Patternsfrom Agency
Planet Co., Ltd.
Propelua
Qingdao Tida International Trade Co., Ltd.
QUARTER REPORT CO., LTD.
Raziel
RoomClip
RUNON CO., LTD.
Sabia Inc.
SANGETSU CO., LTD.
SANKYO KAMITEN Co.,Ltd.
Sankyo Tateyama, Inc. Sankyo Arumi
SEKI FURNITURE CO., LTD.
Setouchi DENIM
Shanghai Formore Exhibition Service Co.,Ltd
SHANGHAI MYWAY INTERNATIONAL TRADING CO LTD
Shanghai Revon Trade Co.,Ltd
Shanghai Sunrise
SHINRINDO LLC.
SINCOL INTERIOR CO., LTD.
SK Kaken Co., Ltd.
SMD TEXTILES LIMITED
Southeast Anatolian Carpet Exporters Association
SUMINOE TEXTILE CO., LTD.
SUMIYOSHI CO.,LTD. | SUN FELT CO., LTD.
Sun Regent Co.,Ltd.
NIPPON DOM CO., LTD.
SUNCHEMICAL CO.,LTD.
SUNROSE Corp.
SUZHOU HUASHENG TEXTILE DECORATION CO.,LTD
TACHIKAWA CORPORATION
Taiwan Textile Federation
TAJIMA ROOFING INC.
TASSEL KAJIYA(KAJIYA SYOUTEN)
TCC CO., LTD
TECIDO & CO., LTD.
Tela's Design
Tianjin Redsea Textile
TOA CORK CO., LIMITED
TOABO MATERIAL CO.,LTD.
Tokyo Hyougu Kyouji Naisou Bunkakyoukai
TOLI CORPORATION
Tomo Decor Ltd.
Toray Amtecs Inc.
TOSO COMPANY, LIMITED
UNION DESIGN LLC
UNITIKA LTD.
WORLD CARPET PROCESSING CO. LTD
WUHU EASY IMP&EXP CO.,LTD
YAMAMOTO INDUSTRIAL CO.,LTD.
YAMATOBOU CO.,LTD.
YAYOI CHEMICAL INDUSTRY CO., LTD.
YAYOI CHEMICAL SALES CO.,LTD
YMK Nagaoka Co., Ltd.
YOSHIDAFUSA ORIMONO CO.,LTD.
YUTES NATURAL FABRICS
Zhejiang Huaxing Feather & Down Products Co., Ltd.
Zhejiang Huaxing Feather & Down Products Co., Ltd.
Zhejiang Sofine Trading Co.,Ltd |
|--|---|---|---|

Exhibits Buyers find what they want at JAPANTEX

Window Treatments

Curtains, Blinds, Screens, Curtain Rail, Upholstery, Decoration Fabrics, Fabrics, etc.

Floor Coverings

Curtains, Blinds, Screens, Curtain Rail, Upholstery, Decoration Fabrics, Fabrics, etc.

Wall Coverings

Curtains, Blinds, Screens, Curtain Rail, Upholstery, Decoration Fabrics, Fabrics, etc.

Home Fashion

Cushions, Tapestries, Tableware, Upholstery Fabrics, Towels, Bedding, Interior Goods, Picture Frames, Picture Rails, Furniture, Interior Lighting

Technology / DigitalPrint

Sewing Machines, Glues, Repair Items, Equipment, Software, Printers, Digital print, etc.

Japanese-Traditional

Fabrics, Japanese Paper, Wooden Products, Lacquer Products, etc.

Interior Publishers

Press, Media

Products that address the SDGs

Products that are environmentally friendly throughout their lifecycle, infection control products, and more

ETC.

Textile design, Textile pattern, etc.

JAPANTEX Online Exhibition

The JAPANTEX Online Exhibition will take place ahead of the actual event, which is scheduled to be held at Tokyo Big Sight in November. Just like the actual event, visitors will be able to talk directly with exhibitors and learn about product features as well as negotiate business deals. Enabling visitors to talk face to face with the exhibitors, the online exhibition will virtually offer the same experience as the real thing. Participating both online and in real life will mean increased business opportunities.



Exhibit fee (including tax)

Online Exhibition only

Early Bird JPY **352,000** Ordinary JPY **385,000**

Online Exhibition + Real Exhibition

50% of the exhibit fee for the online exhibition will be deducted from the exhibit fee for the real exhibition. *For more information about exhibit fees, see the application form.

Application deadline Tuesday, July 20

For more information about the JAPANTEX online exhibition, click here.

▶ <https://japantex.jp/?p=10807>

